

FREEWAY TURNSTILE SWEEPER

The turnstile «SWEEPER» perfectly suits even the most demanding customers due to its design. Glass panels as well as glass side panels of this waist-high turnstile give the feeling of «transparency» and apart from execution of its functions for intended purpose the turnstile «SWEEPER» will be an excellent element of interior.



 **30**
pers/min
CROSSING CAPACITY

 **0,8**
sec
OPENING/CLOSING

 **550-900**
mm
PASSAGE WIDTH

THE GENEROUS AND INVITING OPENING WINGS WILL ACCEPT VISITORS PLAYING ANY MP3 MELODY THRU THE SPEAKERS INSTALLED BY CUSTOMIZED ORDERING

Controlled by:

- access control system;
- manual control

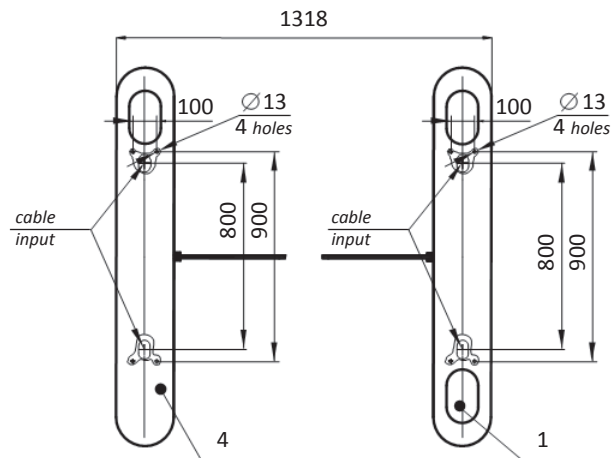
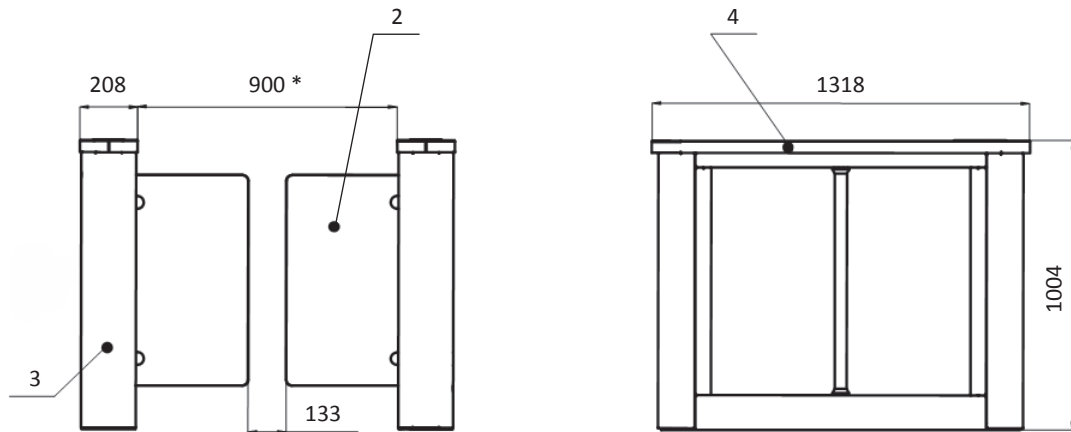
When power goes OFF both directions are free.

Electrical Specifications:

- Voltage:
 - from the AC (100-240)V, 50/60Hz;
 - from a DC source 12 V
- Maximum power consumption 155 W per pass;
- Degree of protection according to GOST 14254-96 - IP41

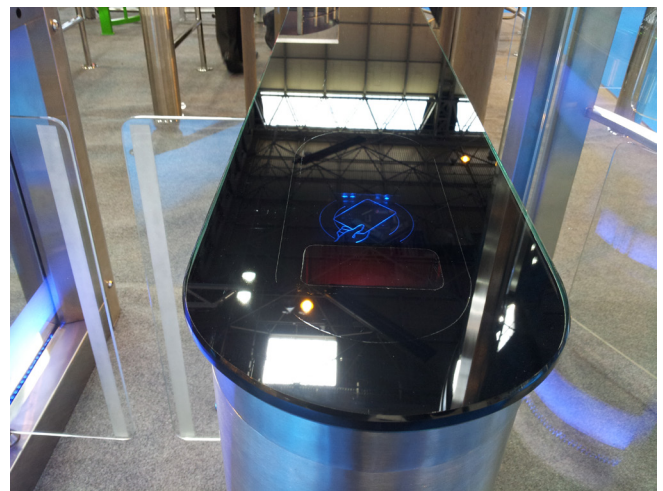
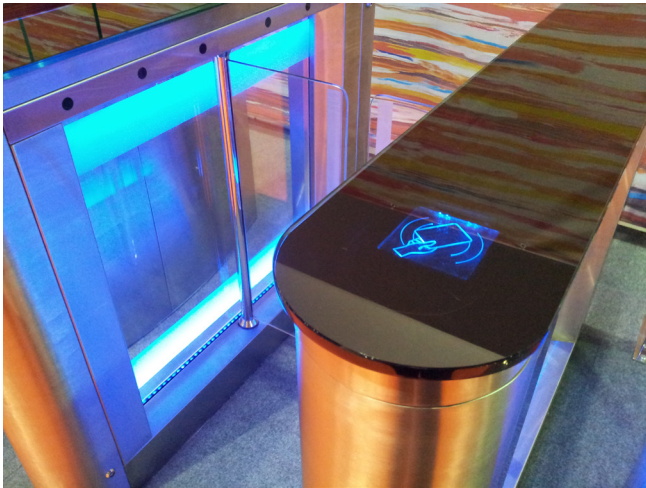
Technical Specifications:

Length	Single pass - 966 mm Two-pass - 1724 mm
Width	1318 mm
Height	1012 mm
Weight, not more	Single pass - 450 kg Two-pass - 700 kg



* version with 550 mm passage width is available

- 1 - card reader and LED display;
- 2 - glass leaf;
- 3 - turnstile housing;
- 4 - cover



References

- Economia Publishing, Prague, Czech Republic;
- Business centre, Murgab, Kuwait;
- Aquapark, Rostov-na-donu, Russia;
- Ministry of information, Chisinau, Moldova;
- "Gulliver" business center, Kiev, Ukraine;
- Projects in Great Britain, Nigeria, Malta